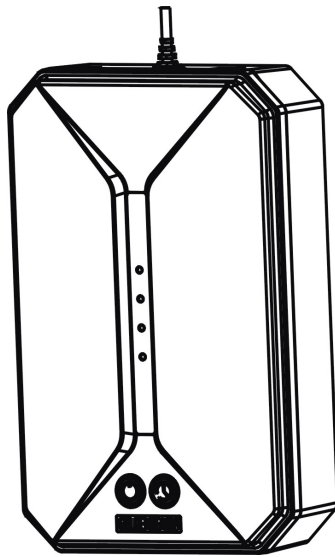


# GOLDENSEA UV



UV-BOX

## USER MANUAL

KEEP THIS MANUAL FOR FUTURE NEEDS



Thank you for purchasing a GOLDENSEA UV product. You have acquired a powerful and versatile device. We are confident that you will be satisfied with our excellent products and service. For your own safety, please read this user manual carefully before installing and operating the device.

## **Contents**

<b>1. Operation</b>	<b>3</b>
<b>2. Notes</b>	<b>3</b>
<b>3. Warnings</b>	<b>3</b>
<b>4. Product Overview</b>	<b>5</b>
<b>5. Dimensional Drawings</b>	<b>5</b>
<b>6. Troubleshooting Tips</b>	<b>5</b>
<b>7. Features</b>	<b>6</b>
<b>8. Cleaning and Maintenance</b>	<b>6</b>
<b>9. Service</b>	<b>6</b>

**Voltage Input:** AC 220-240V~, 50/60Hz; **Power:** 7W; **Product Size:** 250x160x70mm

This device is for household use, disinfect small items such as mobile phones, headsets, masks, office supplies, cosmetic tools, baby supplies, etc.. It shall only be used by adults who are capable of operating this device by following this user manual, and keep children, pets and plants away from the device before operating.

### **IMPORTANT SAFEGUARDS**

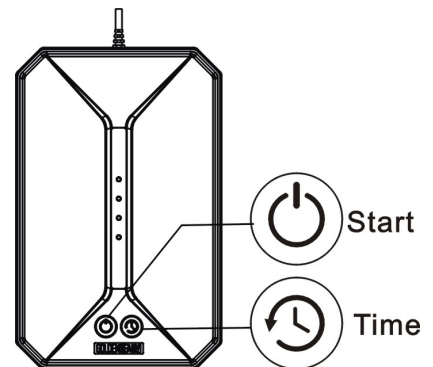
When using electrical equipment, basic safety precautions should always be followed including the following:

#### **READ AND FOLLOW ALL SAFETY INSTRUCTIONS**

- a) This equipment is designed for use with germicidal UV radiation sources and UV radiation can pose a risk of personal injury. Overexposure can result in damage to eyes and bare skin. To reduce the risk of overexposure, the operator must wear protective clothing and UV glasses when operating, and make sure the disinfection area is safeguarded during the entire disinfection process.
- b) Maintenance and servicing of this UV generating equipment shall be performed by professional person. Service personnel must wear appropriate Personal Protective Equipment (PPE) if the equipment will be in operation during the maintenance or servicing work. Contact the equipment manufacturer for PPE recommendations and guidance.
- c) When replacing lamps, replace them only with the lamps for which the equipment is marked and intended.
- d) The use of accessory not recommended by the manufacturer may cause an unsafe condition.
- e) Do not use this equipment for other than intended use.
- f) Keep the device away from children and pets.
- g) It should be stored well to avoid accidental damage to the sterilizer and personal injury after the sterilization is finished.

### 1. Operation

- 1) Open the lid of the box, place your items inside, then close the lid.
- 2) Plug-in to power on.
- 3) Select time setting <5 mins>, <15 mins> or <30 mins> by the Time Setting button <🕒>, the corresponding indicator light turns on.
- 4) Press the Start button, audible alarm starts beeping regularly for 5 seconds. The UV lamp will turn on after the 5 seconds delay when disinfection time is set.
- 5) Once the disinfection process ends, an audible alarm sounds and the indicator light turns off.
- 6) Open the lid of the box to ventilate.



\* If the lid of the box is opened during disinfection process by misuse, the UV lamp will automatically turn off to prevent potential injury to the operator. Once the lid is closed again, the disinfection process will continue.

### 2. Notes

1. The surface of the lamp should be kept clean.
2. The lamp is fragile. Please handle it with care.
3. According to the latest guideline on the diagnosis and treatment released by the National Health Commission, the virus is sensitive to ultraviolet (UV) light and heat, so UV radiation is a quick and effective way of disinfecting against germs and viruses.


### 3. Warnings



The UV-C wavelength is 253.7nm.

**CAUTION: TO REDUCE THE RISK OF FIRE USE ONLY \_ TUV 4W FAM/10X25BOX LAMPS**      **ATTENTION – RISQUE D’INCENDIE UTILISER UNIQUEMENT LES LAMPES \_ TUV 4W FAM/10X25BOX**

**Suitable for damp locations**  
**CONVIENT AUX EMPLACEMENTS HUMIDES**

<p><b>WARNING – RISK OF PERSONAL INJURY</b></p> <p>THIS EQUIPMENT IS DESIGNED FOR USE WITH GERMICIDAL LAMPS OR UV SOURCES AND MUST BE INSTALLED AND USED IN COMPLIANCE WITH COMPETENT TECHNICAL DIRECTIONS TO PREVENT THE USER'S EYE AND BARE SKIN FROM EXPOSURE TO HARMFUL UV OR OPTICAL RADIATION. PEOPLE, PETS AND PLANT SHOULD LEAVE THE AREAS WHEN USING THE DISINFECTION LIGHT.</p> <p>EYE DAMAGE MAY RESULT FROM DIRECTLY VIEWING THE LIGHT PRODUCED BY THE LAMP IN THIS EQUIPMENT. ALWAYS TURN OFF LAMP BEFORE SERVICING.</p>	<p><b>Avertissement – RISQUE DE BLESSURES CORPORELLES</b></p> <p>CET ÉQUIPEMENT EST CONÇU POUR ÊTRE UTILISÉ AVEC DES LAMPES GERMICIDALES OU DES SOURCES UV ET DOIT ÊTRE INSTALLÉ ET UTILISÉ EN CONFORMITÉ AVEC LES DIRECTIVES TECHNIQUES COMPÉTENTES POUR EMPÊCHER L'ŒIL DE L'UTILISATEUR ET LA PEAU NUE DE L'EXPOSITION À DES RAYONS UV OU OPTIQUE NOCIFS. LES PERSONNES, LES ANIMAUX DE COMPAGNIE ET LES PLANTES DEVRAIENT QUITTER LES ZONES LORS DE L'UTILISATION DE LA LUMIÈRE DE DÉSINFECTION.</p> <p>LES DOMMAGES OCULAIRES PEUVENT RÉSULTER DE L'OBSERVATION DIRECTE DE LA LUMIÈRE PRODUITE PAR LA LAMPE DANS CET ÉQUIPEMENT. ÉTEIGNEZ TOUJOURS LA LAMPE AVANT L'ENTRETIEN.</p>
---	--

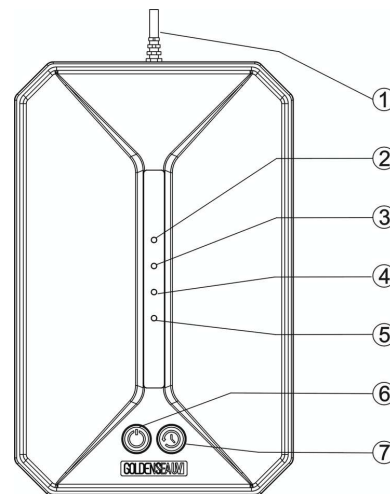
 <p><b>RISK GROUP 3</b></p>	<p><b>WARNING-POSSIBLE RISK OF INJURY TO EYES AND SKIN</b></p> <ul style="list-style-type: none"> <li>• Hazardous optical radiation may be emitted from the light source. Do not stare at operating lamp. May be harmful to the eyes.</li> <li>• UV may be emitted from the light source. Eye or skin irritation may result from exposure. Use appropriate shielding.</li> <li>• IR may be emitted from the light source. Do not stare at operating lamp.</li> </ul> <p><b>Avertissement : risque possible de blessures aux yeux et à la peau</b></p> <ul style="list-style-type: none"> <li>• Un rayonnement optique dangereux peut être émis par la source lumineuse. Ne pas regarder directement la lampe en fonctionnement. Peut être très nocif pour les yeux.</li> <li>• Des ultra-violet (UV) peuvent être émis par la source lumineuse. Une irritation des yeux ou de la peau peut résulter de l'exposition. Toujours utiliser des protections appropriées.</li> <li>• Des infra-rouges (IR) peuvent être émis par la source lumineuse. Ne pas regarder fixement la lampe en fonctionnement.</li> </ul>
--	---

 <p><b>UV-C RISK GROUP 3</b></p> <p>WARNING: UV-C emitted from this product.</p> <p>Avoid eye and skin exposure to unshielded product.</p> <p>Follow installation instructions and user manual.</p>	 <p><b>GRUPE DE RISQUE UV-C 3</b></p> <p>AVERTISSEMENT UV-C émis par ce produit.</p> <p>Évitez l'exposition des yeux et de la peau au produit non fumé.</p> <p>Suivez les instructions d'installation et le manuel d'utilisation.</p>
--	--

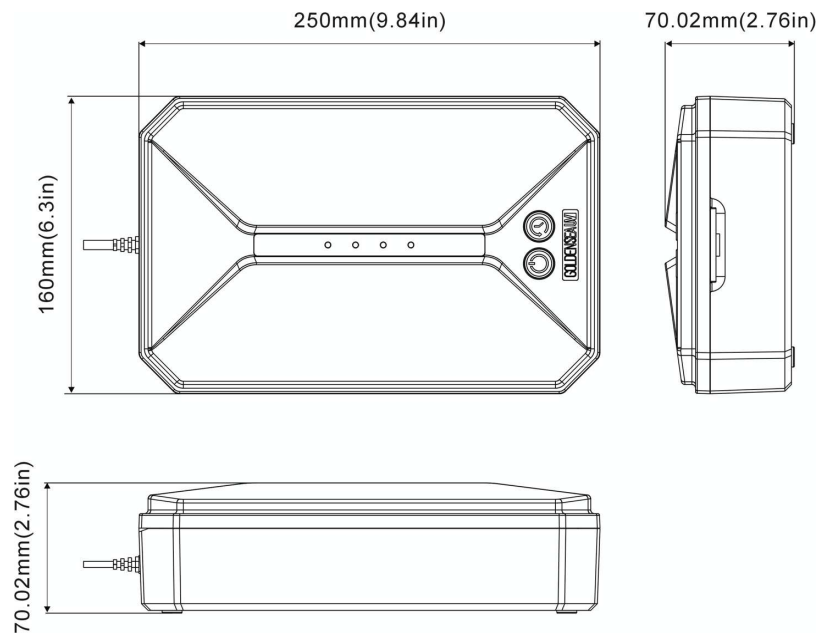
**SAVE THESE INSTRUCTIONS**

## 4. Product Overview

- 1) Power Cable
- 2) 5 mins - Indicator
- 3) 15 mins - Indicator
- 4) 30 mins - Indicator
- 5) Power Indicator
- 6) Start Button
- 7) Time Setting Button



## 5. Dimensional Drawings



## 6. Troubleshooting Tips

### 8.1 What to do if the device doesn't work?

1. Ensure the device is plugged into a working wall socket.
2. Ensure the plug is wired correctly and terminal well-connected.
3. If you still have issues with the device, please contact your local dealer or our customer service for assistance.

### 8.2 How often should the UV tube be replaced?

1. The UV tube is the core of the product, it should be replaced after 6000 hours of use to maintain the germicidal efficacy.

2. The UV tube is defected if it flashes, please contact your local dealer or our customer service to order a new UV tube. For replacing the UV tube, please refer to the instructions in this user manual.
3. After use for a period of time, it is normal to find some black spots on both sides of the UV tube.

## 7. Features

### Light Source

- Lamp: TUV 4W FAM/10X25BOX (PHILIPS) or HNS 4W G5(G4T5/OF)PURITEC UV-C Germicidal Low Pressure Lamp (OSRAM)
- Extremely long Life: up to 6,000 H

### Features

- Delayed start (5 seconds delayed start)
- Audio alarm
- Visual indicator lights
- 3 disinfection time settings
- UVC wavelength: 253.7nm

### Product Type

Household Ultraviolet disinfection light

### Weight

Net weight: 0.65 kg

## 8. Cleaning and Maintenance

1. To ensure the device remains in good condition and does not fail prematurely, regular maintenance, cleaning and checks are required.
2. For cleaning of the device, please use a lint-free cloth.
3. To avoid damage to the device, never use detergent or solvents.
4. Never spray insecticide towards the device, it can discolor or damaged.
5. Should you need any spare parts, please order genuine parts from your local dealer.

## 9. Service

For all service needs, please contact your local authorized dealer or GOLDENSEA customer service. Our contact details are:

Email: support@goldenseauv.com

Tel: +86 20 3996 6388

Address: No.109 Haiyong Road, Shiji Town, Panyu Zone, Guangzhou, China. 511450

*Errors and omissions for all information given in this user manual are expected.  
All information is subject to change without prior notice.*

GOLDENSEAUM