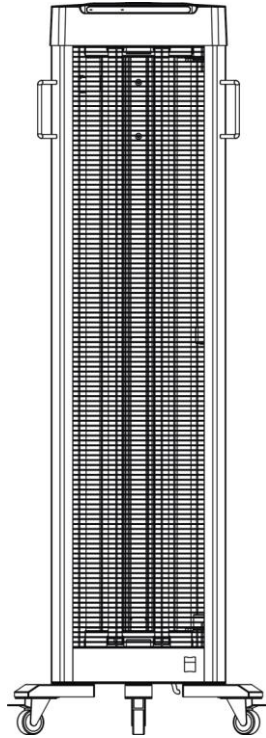


GOLDENSEA UVM



UVM216

USER MANUAL

KEEP THIS MANUAL FOR FUTURE NEEDS



Thank you for purchasing a GOLDENSEA UV product. You have acquired a powerful and versatile device. We are confident that you will be satisfied with our excellent products and service. For your own safety, please read this user manual carefully before installing and operating the device.

Contents

1. Manual Operation	3
2. Remote Control Operation	3
3. Motion Sensor Operation(if the lamp with Motion Sensor)	4
4. Fall Protection Auto Power Off	4
5. Installation Of Wheels	5
6. Moving The Unit	5
7. Notes	6
8. Suggestion For Disinfection Time	6
9. Warnings	7
10.Product Overview	7
11. Dimensional Drawings	8
12.Replacing The UV Tube	8
13.Troubleshooting Tips	9
14.Features	10
15.Cleaning and Maintenance	11
16.Service	12

Voltage Input: AC100-240V~, 50/60Hz; **Power:** 230W; **Product Size:** 507x442x1488mm

This UV lamp is only for commercial use in non-residential locations, such as in the hotels, schools, factories, theaters, gymnasiums, restaurants, offices, etc., it shall only be used by professional person. The warning sign as below shall be shown on the way to the fixture during operation.

IMPORTANT SAFEGUARDS

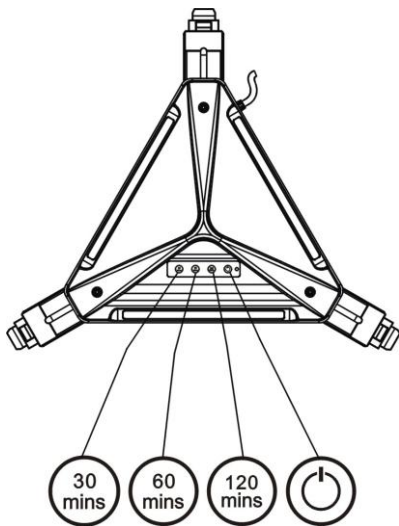
When using electrical equipment, basic safety precautions should always be followed including the following:

READ AND FOLLOW ALL SAFETY INSTRUCTIONS

- a) This equipment is designed for use with germicidal UV radiation sources and UV radiation can pose a risk of personal injury. Overexposure can result in damage to eyes and bare skin. To reduce the risk of overexposure this equipment must be used by professional person.
- b) Maintenance and servicing of this UV generating equipment shall be performed by professional person. Service personnel must wear appropriate Personal Protective Equipment (PPE) if the equipment will be in operation during the maintenance or servicing work. Contact the equipment manufacturer for PPE recommendations and guidance.
- c) When replacing lamps, replace them only with the lamps for which the equipment is marked and intended.
- d) The use of accessory not recommended by the manufacturer may cause an unsafe condition.
- e) Do not use this equipment for other than intended use.
- f) People, pets, and plants should leave the areas when using the disinfection light.
- g) It should be stored well to avoid accidental damage to the sterilizer and personal injury after the sterilization is finished.

1. Manual Operation (control panel)

- 1) Close all the doors and windows.
- 2) Plug-in and power on: press the power switch <I/O> to <I>, the power indicator turns on green.
- 3) Select time setting <30 mins>, <60 mins> or <120 mins> by the Time Setting touch key, the touch key indicator light turns on.
- 4) Press the Start touch key, audible alarm starts beeping and red power indicator will flash regularly for 3 minutes. The UV lamp will turn on after the 3 minutes delay when disinfection time is set, the power indicator stays on red.
- 5) Once the disinfection process ends, the power indicator switches to green, an audible alarm sounds. Open the doors and windows to ventilate the disinfected area.



Warning:

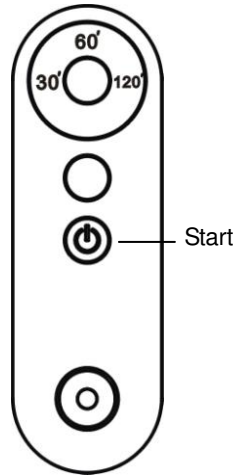
Don't look at the disinfection light directly. People, pets and plants should leave the area when using the disinfection light. Ventilate for 30-40 minutes after working.

Note: make sure the device is on an even surface and the wheel brakes are engaged before operating.

2. Remote Control Operation

- 1) Close all the doors and windows.
- 2) Plug-in and power on: press the power switch <I/O> to <I>, the power indicator turns on green.
- 3) Select time setting <30'>, <60'> or <120'> by the Time Setting button on the remote control, the touch key indicator light on the device turns on.
- 4) Press the Start button on the remote control, audible alarm starts beeping and red power indicator on the device will flash regularly for 3 minutes. The UV lamp will turn on after the 3 minutes delay when disinfection time is set, the power indicator stays on red.
- 5) Once the disinfection process ends, the power indicator switches to green, an audible alarm sounds. Open the doors and windows to ventilate the disinfected area.

Note: if the remote control loses pairing with the device, re-do the pairing by pressing the Start button on the remote control and switch on the device for 5 seconds. One remote control can be matched with multiple units of the same model.



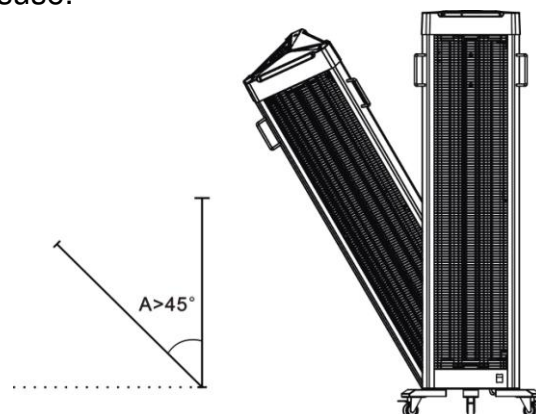
3. Motion Sensor Operation (if the lamp with Motion Sensor)

1. Turn on the UV lamp, select the disinfection time and start, leave the room, after 2 minutes alarming (Di...Di...Di...), the UV lamps will switch on automatically, the motion sensor will be activated.
2. The Motion sensor can 'see' through non-metal materials, such as wood board, plastic, fabrics, etc. But the concrete will influence the motion sensor, and the metal board even can stop the detecting ability. So, when the UV Lamps is working, it will turn off when it detects that someone or something moving around within its detecting range even outside the rooms, and it will turn on again when someone or something left.
(detecting range: 3m in an open area without any of the above influence factors)

Note: for safety reason, the UV lamp does not work if the motion sensor is defective.

4. Fall Protection Auto Power Off

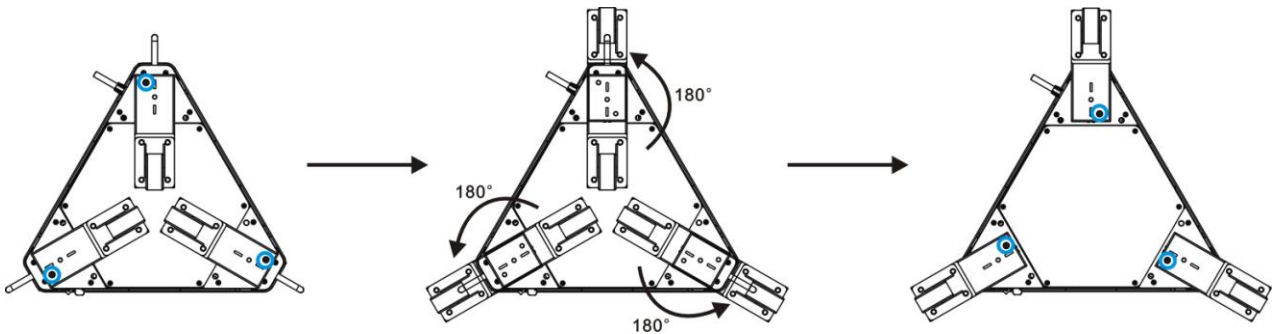
1. When a working device detects a movement of more than 45°, it will automatically power off, thus preventing heat damage to surrounding objects, should the device fall over by accident or misuse.



- To make it work again after auto power off, put the device back to the normal upright position, make sure the power plug is still well-connected to the power socket, re-start the operation again from the beginning.

5. Installation Of Wheels

The 3 universal wheels of this device had been turned inwards and fixed at the center of the bottom when it was packed. Before using the product, the 3 wheels must be installed back to the correct positions.

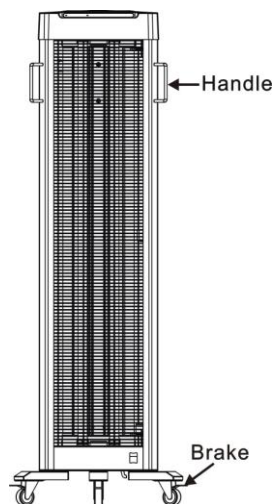


Steps:

- Take the device out of the package, loosen the 3 screws (M4x10mm) at the bottom as shown by circle.
- Swing the wheels outwards 180°.
- Fix the wheels in place using the 3 screws (M4x10mm) loosened in step 1.

6. Moving The Unit

This device has been integrated with 3 universal wheels and handles for fast and easy relocation.



1. Before moving the device, make sure the power cable is disconnected from power socket and the wheel brake is released. To release the brake, push the brake lever up with your foot.
2. To move the device, holding the handle and the power cable with your hand and move it to the desired place.
3. To avoid moving by itself, this device must be placed on an even surface and always apply the wheel brake before operating. To apply the brake, push the brake lever down with your foot.

7. Notes

1. Put the UV lamp on a height of 0cm-400cm to get the best disinfection effect. Please do not put the lamp higher than 400cm, as the Motion Sensor cannot detect perfectly.
2. The surface of the lamp should be kept clean.
3. When disinfecting the surface of an object with ultraviolet rays, the surface to be irradiated should be directly irradiated within 1 meter of ultraviolet rays, otherwise it's necessary to increase the irradiation time.
4. The lamp is fragile. Please handle it with care.
5. According to the latest guideline on the diagnosis and treatment released by the National Health Commission, the virus is sensitive to ultraviolet (UV) light and heat, so UV radiation is a quick and effective way of disinfecting rooms against germs and viruses.

According to the guideline, indoor spaces should be disinfected with UV light with an intensity of over 1.5 watts per square meter. An UV lamp can disinfect objects within one meter for at least half an hour. Longer exposure to radiation is needed when the temperature indoors is below 20°C or above 45°C and relative humidity is over 60%. A room should be ventilated after UV disinfection, and people are suggested to enter the room half an hour later.

8. Suggestion For Disinfection Time

Area	Power	Disinfection Time
60m ²	230W	30min
120m ²	230W	60min
240m ²	230W	120min



9. Warnings

The UV-C wavelength is 253.7nm, the radiation intensity in 200mm distance is 2926.2 uw/cm².

<p>WARNING – RISK OF PERSONAL INJURY</p> <p>THIS EQUIPMENT IS DESIGNED FOR USE WITH GERMICIDAL LAMPS OR UV SOURCES AND MUST BE INSTALLED AND USED IN COMPLIANCE WITH COMPETENT TECHNICAL DIRECTIONS TO PREVENT THE USER'S EYE AND BARE SKIN FROM EXPOSURE TO HARMFUL UV OR OPTICAL RADIATION. PEOPLE, PETS AND PLANT SHOULD LEAVE THE AREAS WHEN USING THE DISINFECTION LIGHT. DO NOT USE THIS EQUIPMENT IN A DWELLING</p> <p>EYE DAMAGE MAY RESULT FROM DIRECTLY VIEWING THE LIGHT PRODUCED BY THE LAMP IN THIS EQUIPMENT. ALWAYS TURN OFF LAMP BEFORE SERVICING.</p>	<p>Avertissement – RISQUE DE BLESSURES CORPORELLES</p> <p>CET ÉQUIPEMENT EST CONÇU POUR ÊTRE UTILISÉ AVEC DES LAMPES GERMICIDALES OU DES SOURCES UV ET DOIT ÊTRE INSTALLÉ ET UTILISÉ EN CONFORMITÉ AVEC LES DIRECTIVES TECHNIQUES COMPÉTENTES POUR EMPÊCHER L'ŒIL DE L'UTILISATEUR ET LA PEAU NUE DE L'EXPOSITION À DES RAYONS UV OU OPTIQUE NOCIFS. LES PERSONNES, LES ANIMAUX DE COMPAGNIE ET LES PLANTES DEVRAIENT QUITTER LES ZONES LORS DE L'UTILISATION DE LA LUMIÈRE DE DÉSINFECTION. N'UTILISEZ PAS CET ÉQUIPEMENT DANS UN LOGEMENT</p> <p>LES DOMMAGES OCULAIRES PEUVENT RÉSULTER DE L'OBSERVATION DIRECTE DE LA LUMIÈRE PRODUITE PAR LA LAMPE DANS CET ÉQUIPEMENT. ÉTEIGNEZ TOUJOURS LA LAMPE AVANT L'ENTRETIEN.</p>
---	---

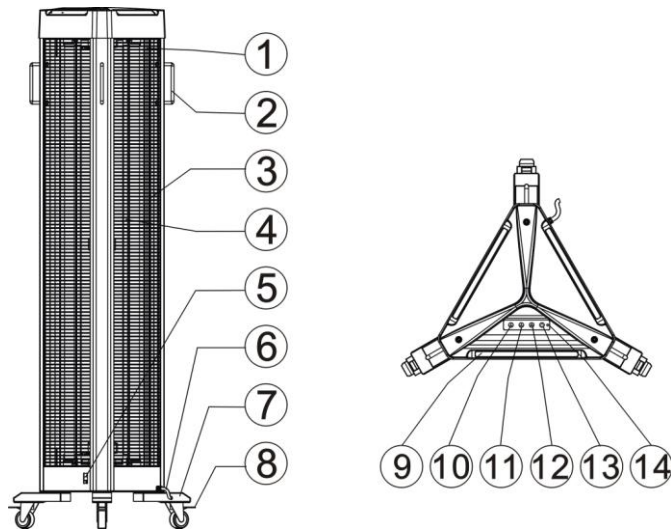
<p>CAUTION: TO REDUCE THE RISK OF FIRE USE ONLY _ TUV 36W SLV/6 T8_ LAMPS</p>	<p>ATTENTION – RISQUE D'INCENDIE UTILISER UNIQUEMENT LES LAMPES _ TUV 36W SLV/6 T8</p>
--	---

Suitable for damp locations
CONVIENT AUX EMPLACEMENTS HUMIDES

<p>UV-C RISK GROUP 3</p> <p>WARNING: UV-C emitted from this product. Avoid eye and skin exposure to unshielded product. Follow installation instructions and user manual.</p> 	<p>GROUPE DE RISQUE UV-C 3</p> <p>AVERTISSEMENT UV-C émis par ce produit. Évitez l'exposition des yeux et de la peau au produit non fumé. Suivez les instructions d'installation et le manuel d'utilisation.</p> 
--	---

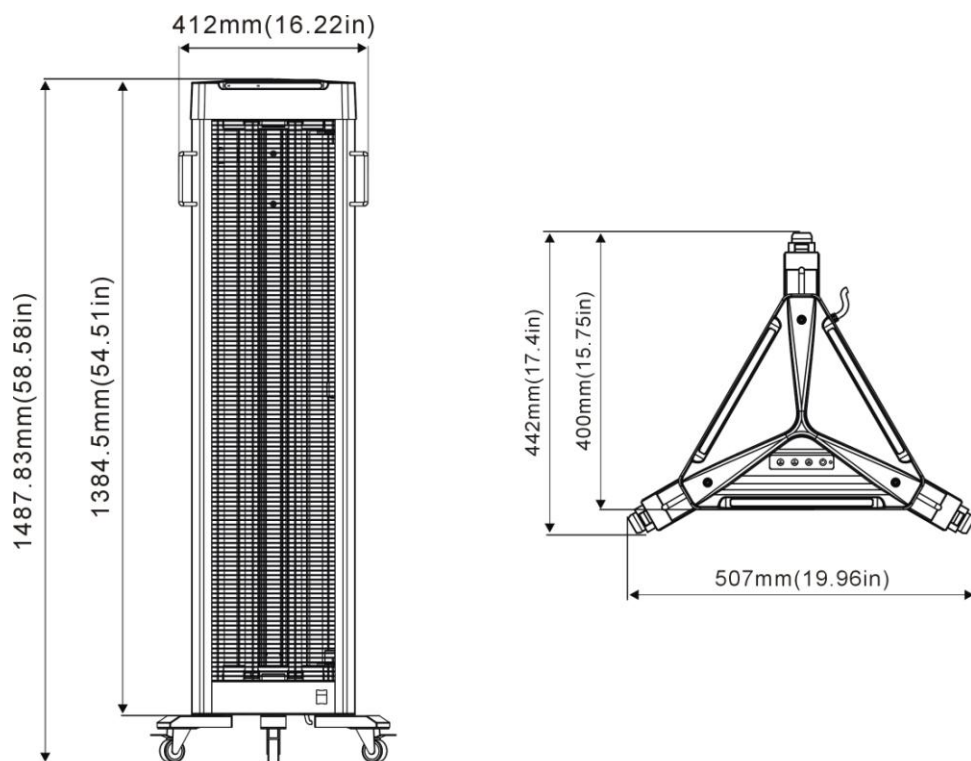
SAVE THESE INSTRUCTIONS

10. Product Overview



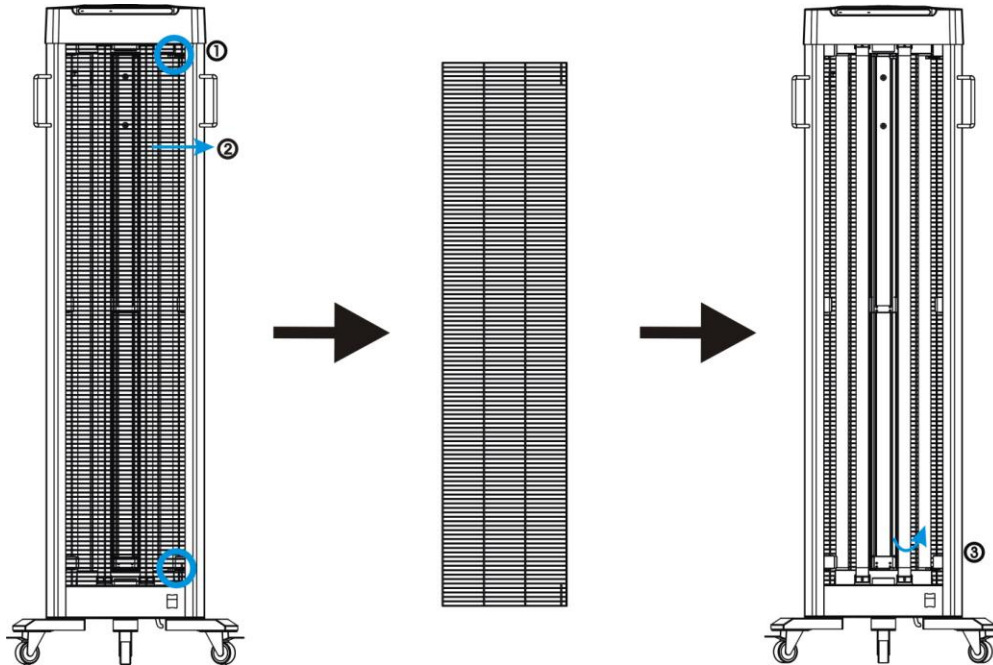
- | | | |
|----------------------|-------------------------|-------------------------|
| 1) Grid Opening Tabs | 6) Power Cable | 11) 60 mins - touch key |
| 2) Handle | 7) Universal Wheel | 12) 120mins - touch key |
| 3) Protective Grid | 8) Brake Lever | 13) Start - touch key |
| 4) UV Tube | 9) Indicator Lights | 14) Power Indicator |
| 5) Power Switch | 10) 30 mins - touch key | |

11. Dimensional Drawings



12. Replacing The UV Tube

To maintain the sterilizing efficacy, the UV tube needs to be replaced after 9,000 hours of use.



Steps:

1. Wait for UV tube to cool down (to avoid scalding) after switching off the device.
2. Push the two locking Tabs ① from right to left to unlock the Protective Grid.
3. Move the Protective Grid from left to right ② until the left side edge of the grid comes out, holding by the edge of grid and take it out.
4. Holding the UV tube and turn it 90° anti clockwise (or clockwise) ③ as shown and take it out from its holder.

Note: please follow your local toxic and hazardous waste regulations for lamp disposal.

5. Insert the new UV tube into the holder and turn the UV tube 90° anti clockwise (or clockwise) until it fits into place correctly and tightly.

Note: direct contact with new UV tube should be avoided as grease from your skin may reduce the efficiency of the UV tube. It is advised to wear protective gloves when handling a new UV tube.

6. Re-install the Protective Grid: place it into the frame from right to left and then move it a little to the right to fit into the correct position. Pull the two locking Tabs ① from left to right to lock the Protective Grid. The device is now ready for use.

13. Troubleshooting Tips

13.1 What to do if the device doesn't work?

1. Ensure the device is plugged into a working wall socket.
2. Ensure the plug is wired correctly and terminal well-connected.
3. If you still have issues with the device, please contact your local dealer or our customer service for assistance.

13.2 How often should the UV tube be replaced?

1. The UV tube is the core of the product, it should be replaced after 9000 hours of use to maintain the germicidal efficacy.
2. The UV tube is defected if it flashes, please contact your local dealer or our customer service to order a new UV tube. For replacing the UV tube, please refer to the instructions in this user manual.
3. After use for a period of time, it is normal to find some black spots on both sides of the UV tube.

13.3 The Audio alarm signal and LED indicator signal for this product:

Status	Audio Alarm	Power Indicator
Standby	-	Green indicator on
Delayed Start	Beeping for 3 minutes regularly (frequency increase in the countdown 10 seconds)	Red indicator flashing for 3 minutes regularly (frequency increase in the countdown 10 seconds)
Lamp Strike	UV Lamp on after 15 seconds when the beeping stops	Red indicator on after beeping stops
Emitting (working)	Single beep every 10 seconds	Red indicator on
Motion Detected	Dual beeps every 10 seconds	Red & Green indicators flashing
End of Cycle	Triple beeps every 10 seconds (in 30 seconds)	Green indicator on
Fall protection	Quadruple ping every 10 seconds	Green indicator flashing

14. Features

Light Source

- Lamp:
TUV 36W SLV/6 T8 (PHILIPS)
or
HNS 36W G13 (G36T8/OF) PURITEC UV-C Germicidal Low Pressure Lamp (OSRAM)
- Extremely long Life: up to 9,000 H

Features

- Delayed start (3-min delayed start)
- Motion sensor
- Audio alarm
- Visual indicator lights
- 3 disinfection time settings
- Power switch
- Control panel with touch keys
- Through wall remote control
- Fall protection mode
- Movable with wheels

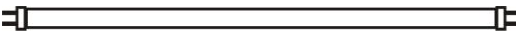


Product Type



Industrial Ultraviolet disinfection light

Weight

Net weight: 14.3 kg

Accessories List:

UV Tube		Included
Remote Control (battery type: CR2025)		Included
UV Glasses (protective eyewear)		Included

Warning Sign		Included
UV Irradiance Meter		Optional

15. Cleaning and Maintenance

1. To ensure the device remains in good condition and does not fail prematurely, regular maintenance, cleaning and checks are required.
2. For cleaning of the device, please use a lint-free cloth.
3. To avoid damage to the device, never use detergent or solvents.
4. Never spray insecticide towards the device, it can discolor or damaged.
5. Should you need any spare parts, please order genuine parts from your local dealer.

16. Service

For all service needs, please contact your local authorized dealer or GOLDENSEA customer service. Our contact details are:

Email: support@goldenseauv.com

Tel: +86 20 3996 6388

Address: No.109 Haiyong Road, Shiji Town, Panyu Zone, Guangzhou, China. 511450

*Errors and omissions for all information given in this user manual are expected.
All information is subject to change without prior notice.*

GOLDENSEAUM